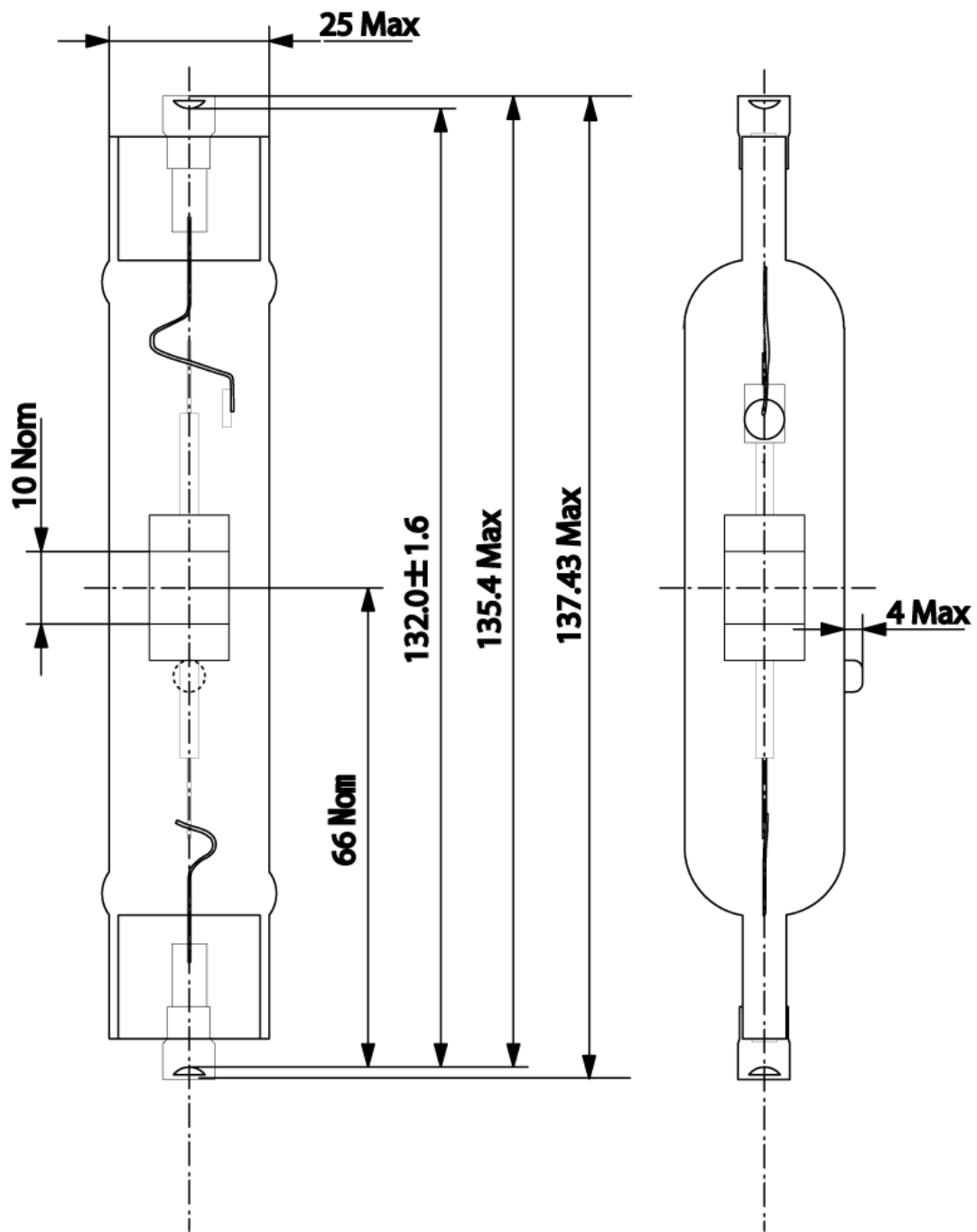
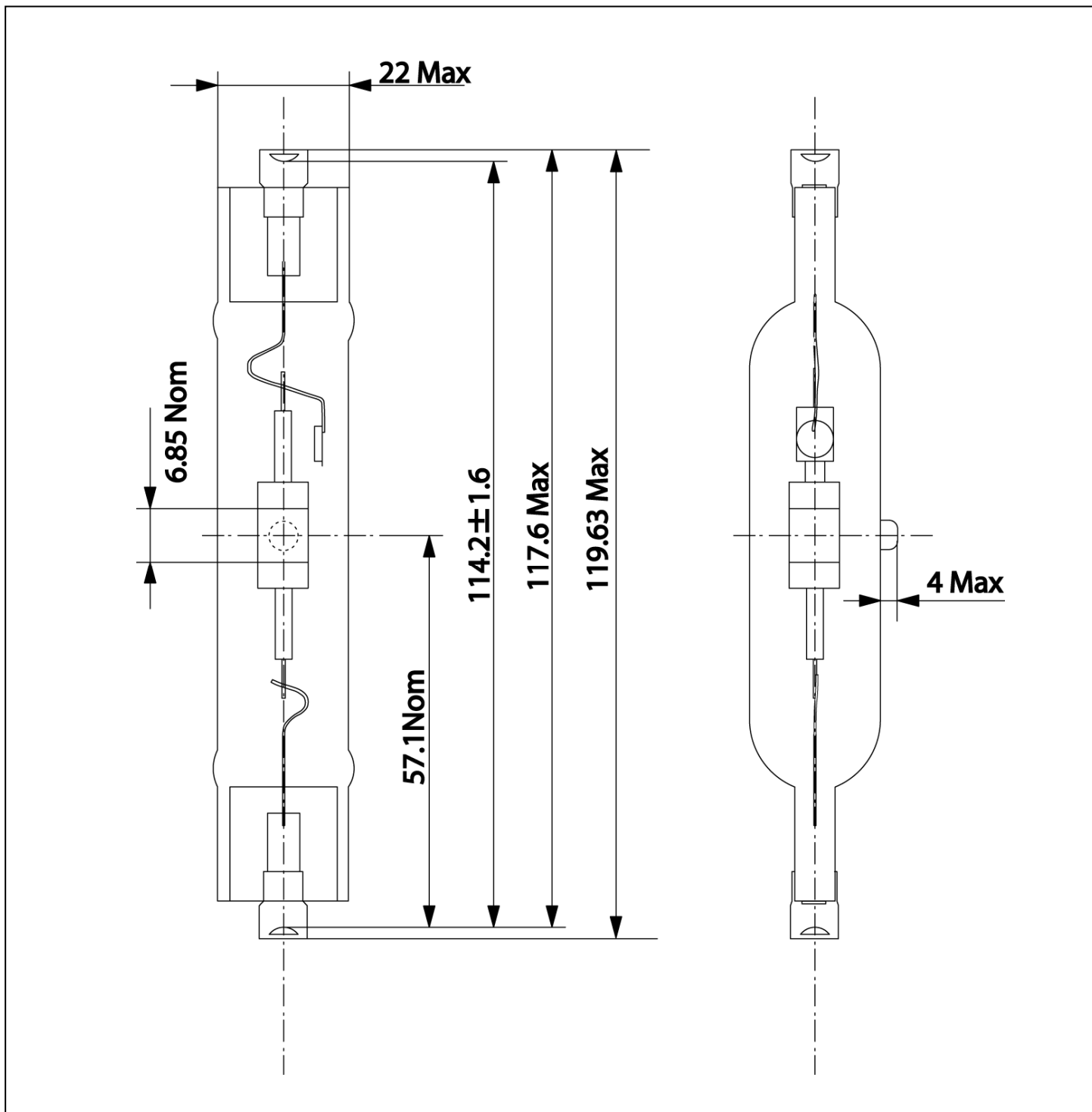


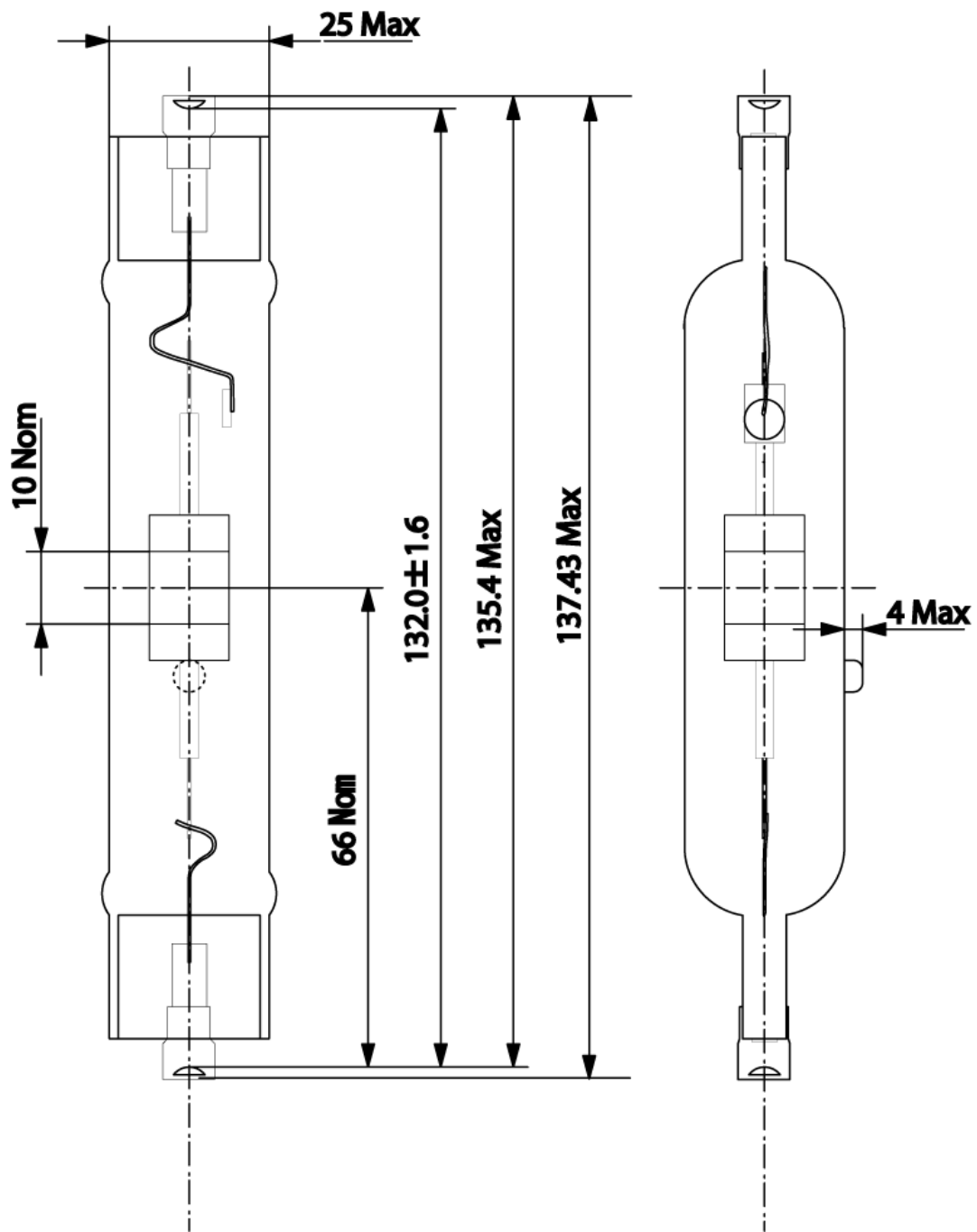
CDM-TD 70W/830		71 W		100		05 5 31	
				kV			
	T22		92				
mm	22 Max		0.97				
	Rx7s		6500				
mm	8 Nom		3000				
mm	119.63 Max	x	0.434				
mm	57.1 ± 1	y	0.397				
			82				
			16000		CDM-TD70W/830-1		
			± 45°				



CDM-TD 150W/830		145 W		100		05 5 31	
				kV			
T25		9%					
mm	25 Max	1.8					
Rx7s		13250					
mm	10 Norm	3000					
mm	137.43 Max	x	0.431				
mm	66 ± 1	y	0.390				
		88					
		16000					
		± 45°		CDM-TD150W/830-1			



CDM-TD 70W/942		71 W		100		05 5 31	
				kV			
	T22		89				
	mm	22 Max	0.99				
	Rx7s		6000				
	mm	6.85 Nom	4200				
	mm	119.63 Max	x	0.375			
	mm	57.1 ± 1	y	0.364			
			92				
			16000		CDM-TD70W/942-1		
			± 45°				



CDM-TD 150W/942		149 W		100		05 5 31	
				kV			
	T25		%				
mm	25 Max		1.82				
	Rx7s		14200				
mm	10 Nom		4200				
mm	137.43 Max	x	0.370				
mm	66 ± 1	y	0.368				
			%				
			16000	CDM-TD150W/942-1			
			± 45°				